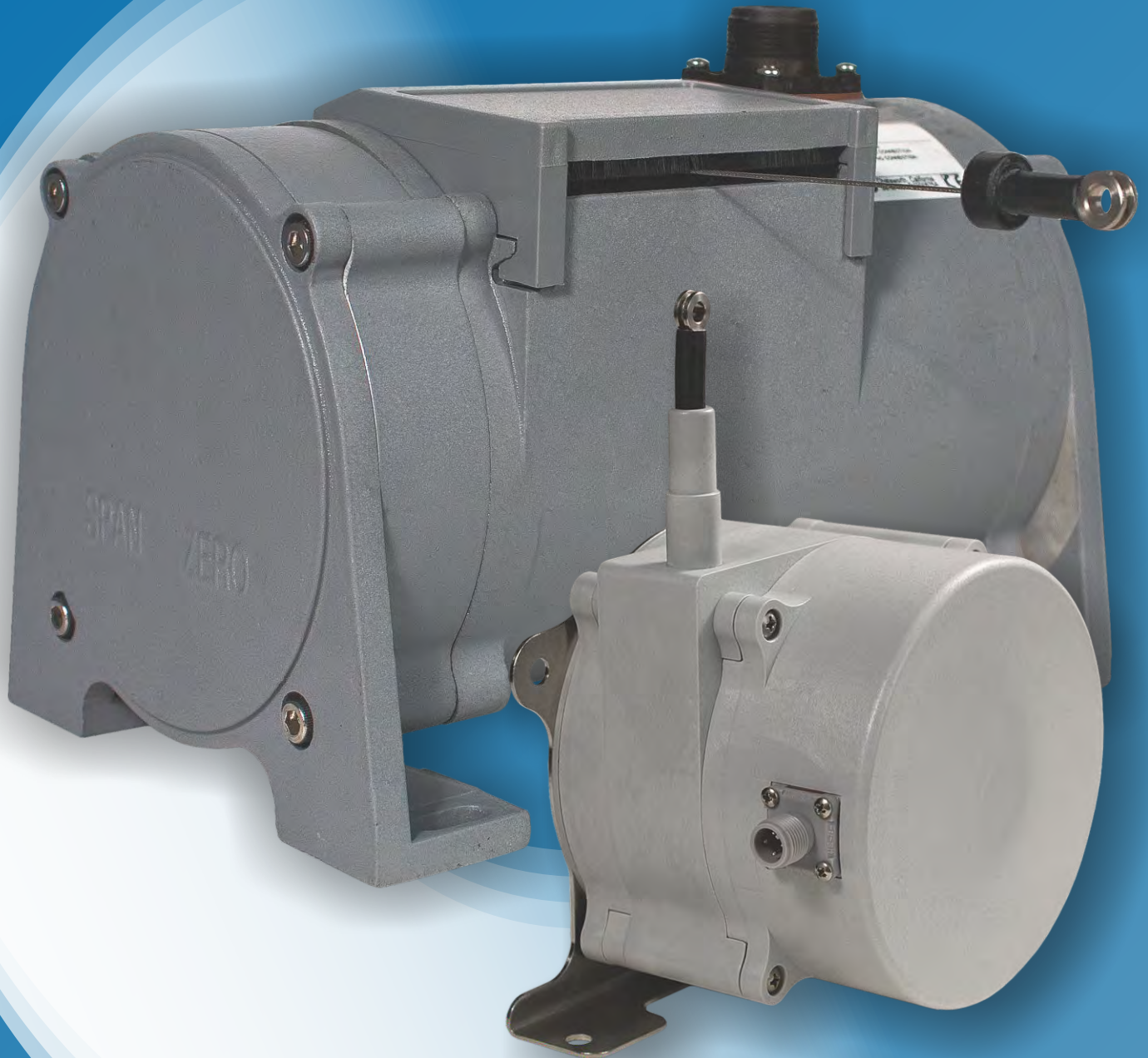


celesco

*Rotary and Linear
Position Sensors*

celesco



sales@atisystems.co.za

011 383 8300

International: +27 11 383 8300

159 Galjoen Street, Wadeville

www.atisystems.co.za

Trade Enquiries Welcome

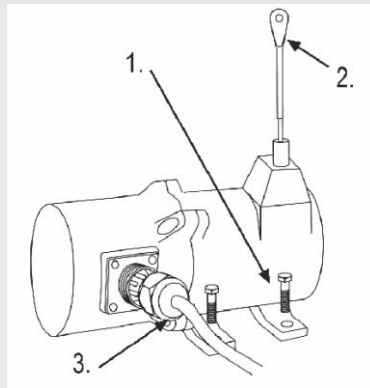


ATI Systems

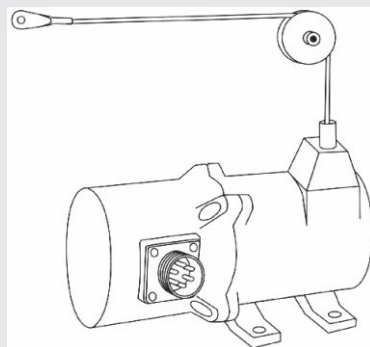
The Benefits of Celesco Industrial Grade Cable Extension Transducers

Easy to install

1. Bolt transducer housing to fixed surface.
2. Attach measuring cable to moving object.
3. Make electrical connection.



- Transducer can be mounted remotely from measurement location.

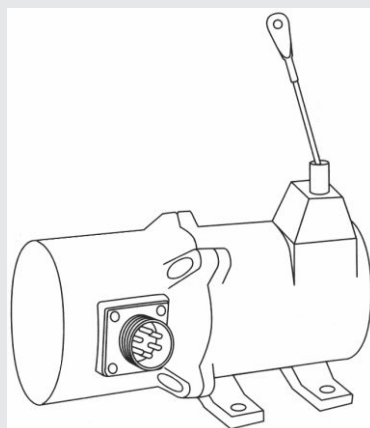


- Cable can be routed over pulleys or through conduit.

- Low mounting height, long measuring range

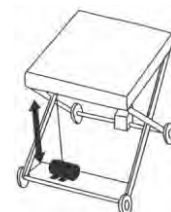
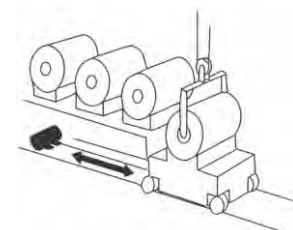
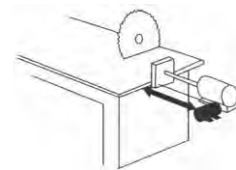
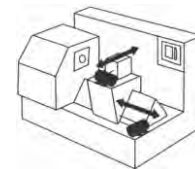
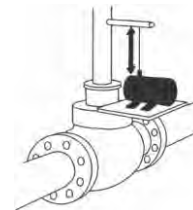
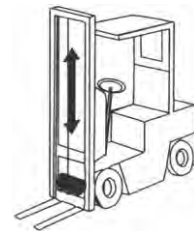
- Perfect alignment not required.

- Quick delivery on most products.



Typical Installations

Celesco transducers are available in a wide variety of configurations, both electrically and mechanically, to fit specific application requirements. They are often used in application such as the ones shown below.





CELESCO - Cable Position Transducers

SM Series Cable Position Transducers



SM1/2

Model	Output	Duty	Span Adjustable	MM
SM1	Potentiometric	Industrial Duty	No	63
* Solder Connection				190
				304
				635
SM2	Potentiometric	Industrial Duty	No	63
* 40" Electrical Cable				190
				304
				635

SP Series Cable Position Transducers



SP 1-3

Model	Output	Duty	Span Adjustable	MM
SP1	Potentiometric	Industrial Duty	No	120
* Solder Connection				315
				635
				1270
SP2	Potentiometric	Industrial Duty	No	120
* 40" Electrical Cable				315
				635
				1270
SP3	4-20mA or 0-10VDC	Industrial Duty	No	120
* 40" Electrical Cable				315
				635
				1270
SE1	Incremental Encoder	Industrial Duty	No	635
* Solder Connection				1270



SE 1

SG Series Cable Position Transducers



SG 1

Model	Output	Duty	Span Adjustable	MM
SG1	Voltage Divider	Industrial Duty	No	2032
* Solder Connection				3048
SGD	4-20mA or 0-10VDC	Industrial Duty	No	2032
* SGD requires 4 pin Micro Connector				3048



SGD

CELESCO - Cable Position Transducers



SR1 Top Exit



SR1 Front Exit

SR1 Series Cable Position Transducers

Model	Output	Duty	Span Adjustable	MM
SR1V	0-10VDC	Industrial Duty	Yes	3175
* SR1 Series requires 4 pin Micro Connector				4445
SR1E	Incremental Encoder	Industrial Duty	N/A	3175
* SR1 Series requires 4 pin Micro Connector				4445
SR1A	Voltage Divider	Industrial Duty	No	1575
* SR1 Series requires 4 pin Micro Connector				3175
				4445
SR1M	4-20mA	Industrial Duty	Yes	3175
* SR1 Series requires 4 pin Micro Connector				4445

SR1 Range comes standard with simple teach function and has an ingress protection of IP 67

PT8000 Series Cable Position Transducers - For Separate Encoder Mounting

Model	Output	Duty	Span Adjustable	MM
PT8101	Voltage Divider	Heavy Duty	No	500
* Includes Mating Connector				1000
				1500
PT8150	Incremental Encoder	Heavy Duty	No	500
* Includes Mating Connector				1000
				1500
PT8420	4-20mA	Heavy Duty	Yes	500
* Includes Mating Connector				1000
				1500
PT8510	0-10 VDC	Heavy Duty	Yes	500
* Includes Mating Connector				1000
				1500



PT 8000 Series

PT8600 Series Cable Position Transducers

Model	Output	Duty	Span Adjustable	MM
PT8600	External Encoder	Heavy Duty	N/A	500
				1000
				1500



PT 8600 Series

CELESCO - Cable Position Transducers

PT9000 Series Cable Position Transducers



PT 9000 Series

Model	Output	Duty	Span Adjustable	MM
PT9420	4-20mA	Heavy Duty	Yes	2500
* Includes Mating Connector				3800
				5000
				10000
				15000
PT9510	0-10 VDC	Heavy Duty	Yes	2500
* Includes Mating Connector				3800
				5000
				10000
				15000
PT9101	Voltage Divider	Heavy Duty	No	2500
* Includes Mating Connector				3800
				5000
				10000
				15000
PT9150	Incremental Encoder	Heavy Duty	N/A	2500
* Includes Mating Connector				3800
				5000
				10000
				15000

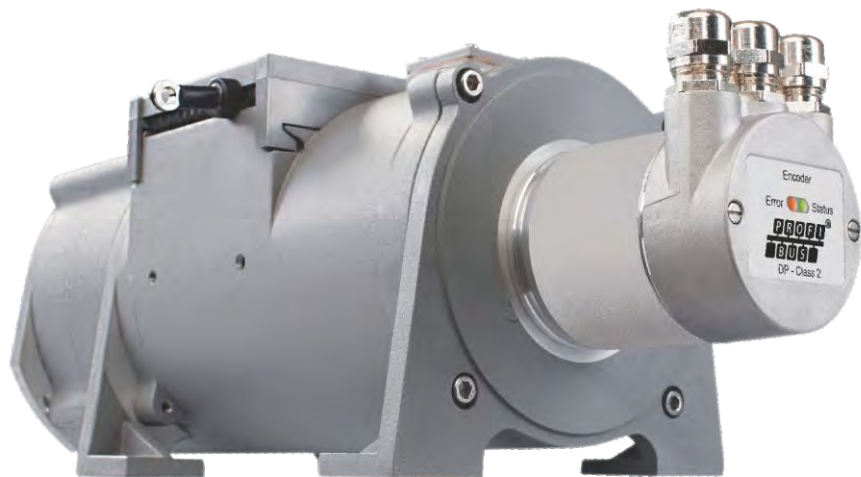
PT9600 Series Cable Position Transducers - For Separate Encoder Mounting



PT 9600 Series

Model	Output	Duty	Span Adjustable	MM
PT9600	External Encoder	Heavy Duty	N/A	2500
				3800
				5000
				10000
				15000

PT9000 Series available in strokes up to 42 meters and ingress protection up to IP 68



CELESCO - Rotary Sensors & Inclinometers



RT 8000 Series

RT8000 Series Rotary and Angle Sensors

Model	Output	Duty	Span Adjustable	Turns
RT8101	Voltage Divider	Heavy Duty	No	0.5 (180 degrees)
* Includes Mating Connector				1 (360 Degrees)
				10
RT8420	4-20 mA	Heavy Duty	Yes	0.5 (180 degrees)
* Includes Mating Connector				1 (360 Degrees)
				10
RT8510	0-10 VDC	Heavy Duty	Yes	0.5 (180 degrees)
* Includes Mating Connector				1 (360 Degrees)
RT8000 Series available from 0,125 turns up to 200 turns				10



RT 9000 Series

RT9000 Series Rotary and Angle Sensors

Model	Output	Duty	Span Adjustable	Angle
RT9101	Voltage Divider	Industrial Duty	No	0.5 (180 degrees)
* Includes Mating Connector				1 (360 Degrees)
				10
RT9420	4-20 mA	Industrial Duty	Yes	0.5 (180 degrees)
* Includes Mating Connector				1 (360 Degrees)
				10
RT9510	0-10 VDC	Industrial Duty	Yes	0.5 (180 degrees)
* Includes Mating Connector				1 (360 Degrees)
RT9000 Series available from 0,125 turns up to 50 turns				10



IT 9000 Series

IT9000 Series Inclination Sensors (Inclinometers)

Model	Output	Duty	Span Adjustable	Angle
IT9101	Voltage Divider	Heavy Duty	No	45
* Includes Mating Connector				90
				180
				240
IT9420	4-20 mA	Heavy Duty	Yes	45
* Includes Mating Connector				90
				180
				240