

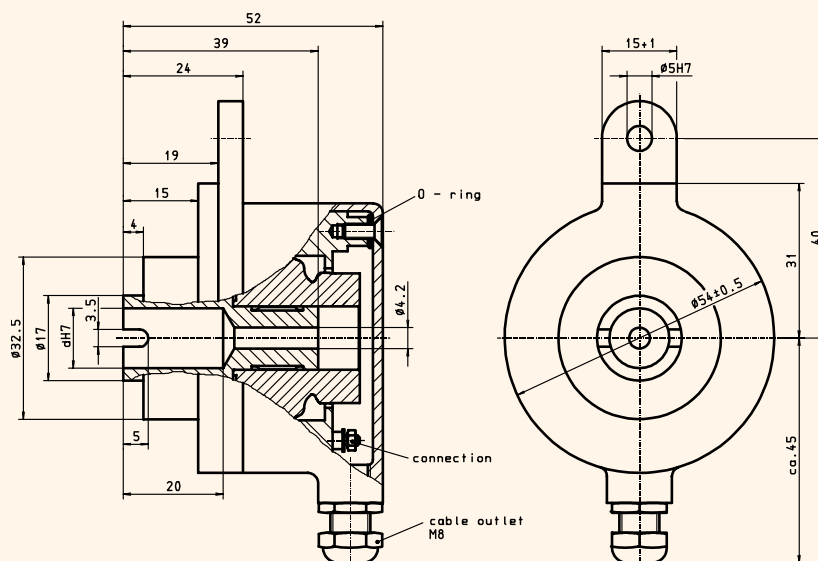
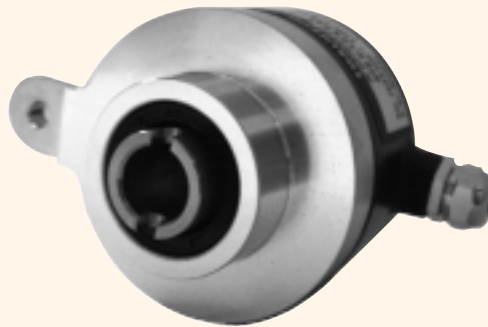
DC tachogenerator

KTD 2-... A 4 L



Qualities:

- High reaction rate
- Large speed range
- Recognition of rotational direction
- Small percent ripple
- No power supply



KTD 2-... A 4 L

drawing-no.: 022 - 11

DC tachogenerator

KTD 2-... A 4 L



Mechanical data:

Housing		plastic, black	
Design style		A 4	
Protective class		IP 55	according to DIN 40 050, IEC 529
Upper speed limit	n_{max}	8000 rpm	
Hollow shaft diameter	d	12 mm	
Rotor attachment		axial over screw	
Weight		approx. 270 g	

Electrical data:

referenced to 1000 rpm

Type	Rated voltage [V]	Rated current [mA]	max. current [mA]	Load resistance [kOhm]	Amature winding [Ohm]
KTD 2-0,7	7	2,1	40	3,3	60
KTD 2-1 ...	10	1	25	10	85
KTD 2-1,5 ...	15	1	15	15	345

Polarity		dependent on rotational direction
Number of pole pair		2 = 4-poles
Number of grooves, segments		29
Grooves frequency		$f_N = 29 / 30 * n$
Reversing error		$\leq 0,4 \%$
Residual ripple		$\leq 0,6 \%$
Linearity error		$\leq 0,2 \%$
Regulation range lower limit	n_R	0 rpm
Temperature drift (- 10 °C to + 100 °C)		$\pm 0,2 \%$ / 10 K

Type of connection		screw terminal, 2-poles
Isolation class		B
Carbon brushes		4 pieces AG 3,2 x 4 x 10
Carbon brushes life		approx. 40.000 hours of operation

Options:

- Cable - version (2 x 0,5 mm²)
- Silver track in the collector