

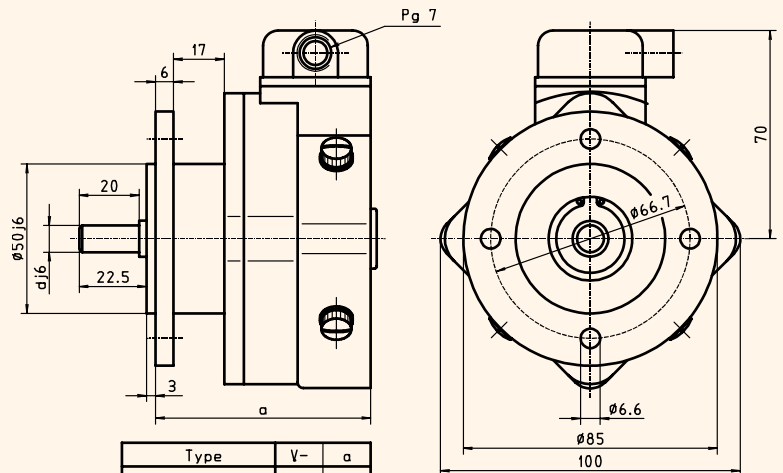
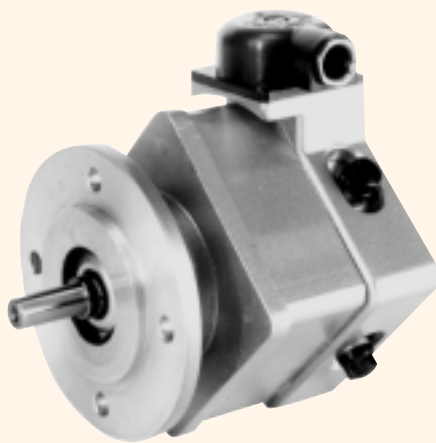
DC tachogenerator

KTD 3-... B 5 Y 3, KTD 3-... B10



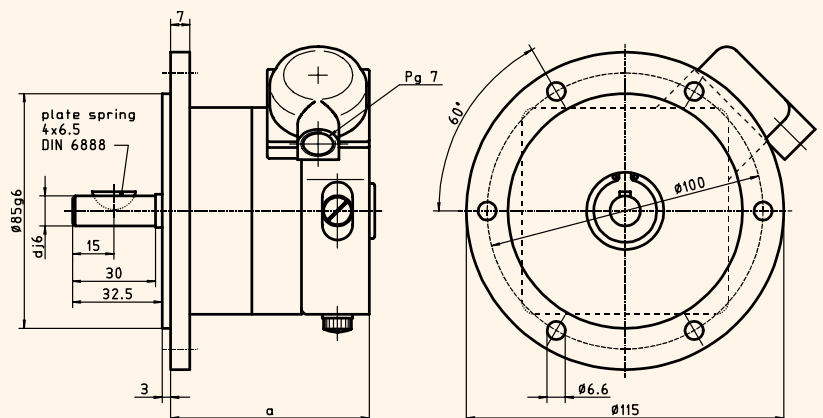
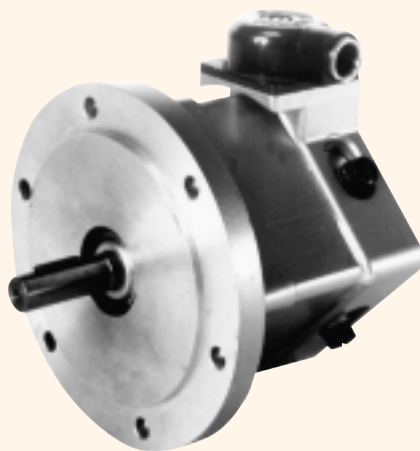
Qualities:

- High reaction rate
- Large speed range
- Recognition of rotational direction
- Small percent ripple
- No power supply



KTD 3-... B 5 Y 3

drawing-no.: 023 - 28 Y 3



KTD 3-... B10

drawing-no.: 015 - 7

DC tachogenerator

KTD 3-... B 5 Y 3, KTD 3-... B10



Mechanical data:

Housing		light - alloy metal unpainted, steel zined
Design style		B 5, B10
Protective class		IP 54 <i>according to DIN 40 050, IEC 529</i>
Shaft diameter	KTD 3-... B 5 Y 3 d	9 mm
	KTD 3-... B10 d	11 mm
Mass moment of inertia	J	KTD 3-1 to KTD 3-3: 660 gcm ² KTD 3-4 to KTD 3-6: 970 gcm ²

Electrical data:

referenced to 1000 rpm

Type	Rated voltage [V]	Rated current [mA]	max. current [mA]	Armature resistance [Ohm]	Upper speed limit [rpm]	Weight B 5 rotor and housing g	Weight B10 rotor and housing g
KTD 3-1 ...	10	10	100	45	6000	1100	1550
KTD 3-2 ...	20	10	80	170	6000	1100	1550
KTD 3-3 ...	30	10	80	170	6000	1100	1550
KTD 3-4 ...	40	10	80	220	4000	1300	1650
KTD 3-6 ...	60	30	80	200	3000	1300	1650

Polarity		dependent on rotation direction
Number of pole pair		2 = 4-poles
Number of grooves, segments		29
Grooves frequency		$f_N = \frac{29}{30} * n$
Reversing error		$\leq \pm 0,1 \%$
Residual ripple		$\leq 0,4 \%$
Linearity error		$\leq 0,15 \%$
Regulation range lower limit	n_R	0 rpm
Temperature drift (- 10 °C to + 100 °C)		$\pm 0,1 \%$ / 10 K (compensated)
Type of connection		terminal box, 2-poles
Isolation class		B
Carbon brushes		4 pieces AG 3 x 4 x 12
Carbon brushes life		approx. 20.000 hours of operation
Maintenance		after 10.000 hours in service

Options:

- Without terminal box cable - version
- With centrifugal switch
- Silver track in the collector
- Enhanced protective class